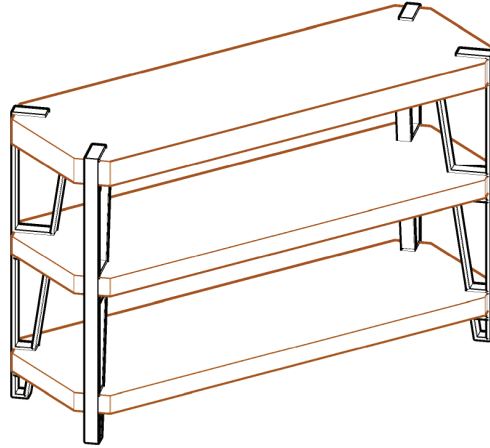





Media Console





Thank you for purchasing our Media Console. It will be helpful to have a second person available during the assembly of this product.

Assembly Instructions

Lay out all parts on a "non-abrasive" surface to avoid scratching furniture.

NO.	DRAWING	DESCRIPTION	QTY.
A		TOP	1
B1/B2		SHELF	2
C		LEG	4

NO.	DRAWING	DESCRIPTION	QTY.
D		M6X25MM BOLT	12
E		ALLEN KEY	1

Step 1

Read through these instructions thoroughly before beginning assembly. We have found this to be of great value when first assembling this product.

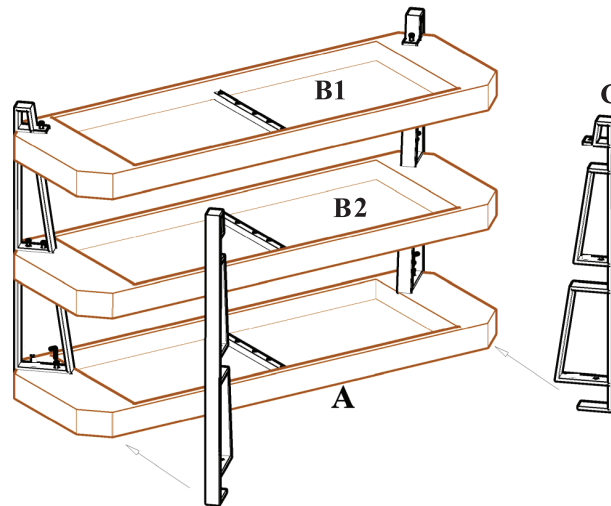
Step 2

Remove all parts and hardware from packing material. Wooden pieces should be placed on a non abrasive surface (like the carton or carpet) to prevent damage to the finish.

Step 3

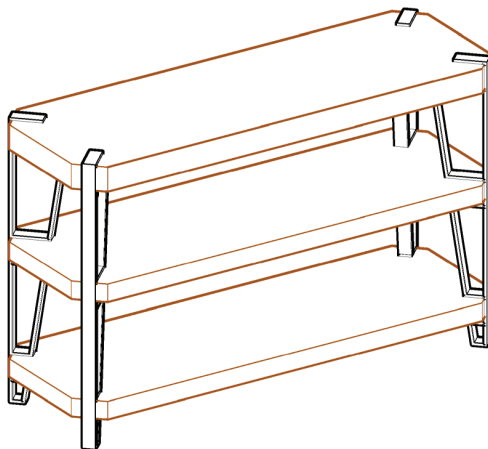
Lay Top (A) upside down and attach 4 legs (C) to top (A) and shelf (B1 & B2) using 12 6M x 25MM Bolts (D).

TIGHTEN ALL BOLTS AT THIS TIME.



Step 4

Set Media Console Upright.



CARE

Clean with mild soap and wipe dry.

REPLACEMENT PARTS:

For best service, to order replacement parts go to www.alaterrefurniture.com.
Use the order form on the web site to order your replacement parts.

Thank
You!